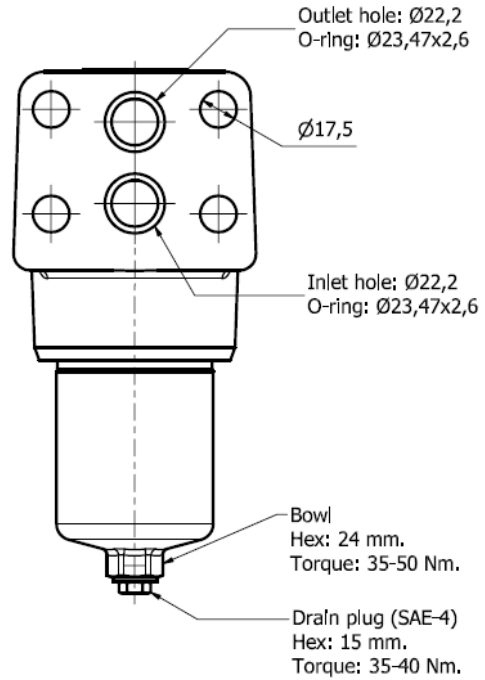
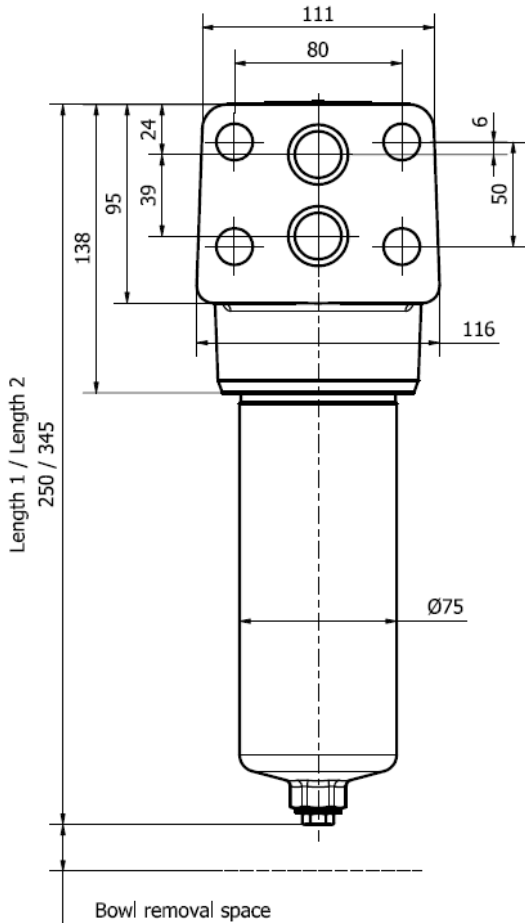
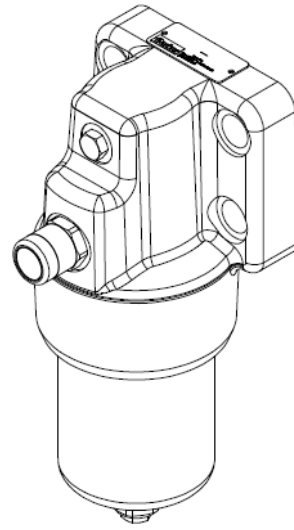
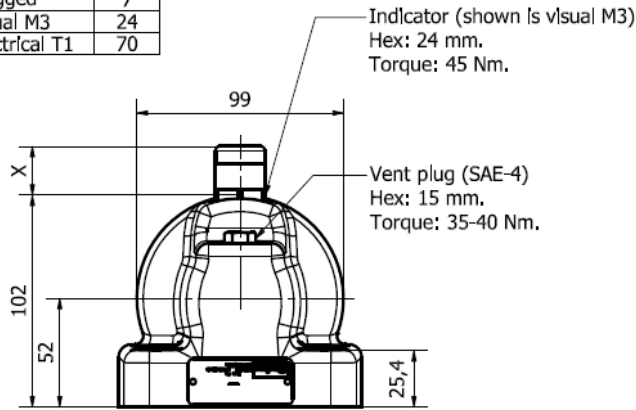


Indicator	X
Plugged	7
Visual M3	24
Electrical T1	70



Recommended mounting bolt size:
- 4x M16 Hex socket-head bolt, acc. ISO 4762
- Tightening torque: 120 Nm.

Mounting surface:
- Surface finish: 1,6 $\sqrt{\text{m}}$

Bowl removal space	
Element	Value
Standard / High Strength	50
Reverse Flow	75

Dimensions in mm

EPF2 Manifold

Dimensional drawing

